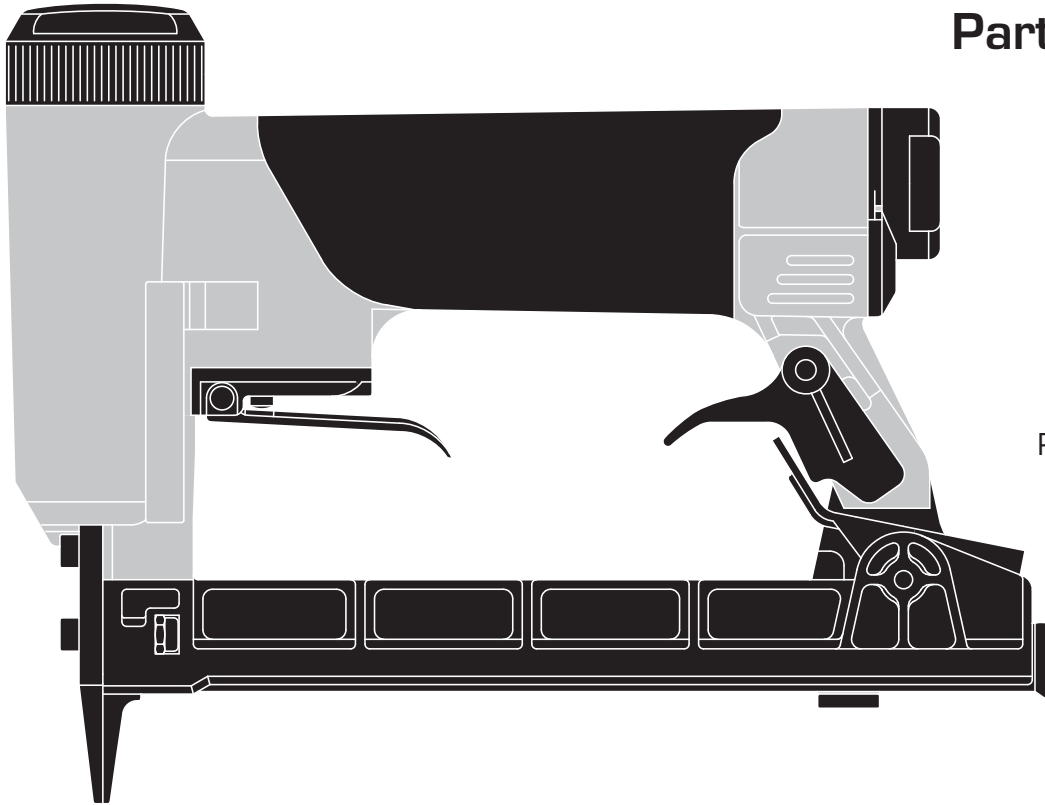




**SFT10XP**

## Fine Wire Stapler

**Parts Reference Guide**  
**Guía de referencia de piezas**  
**Pièces Guide de référence**



Schematic Drawings Inside  
Plano esquemático en el interior  
Schéma intérieur

**Repair Kit**  
YK0802EU  
YK0803EU  
YK0864EU

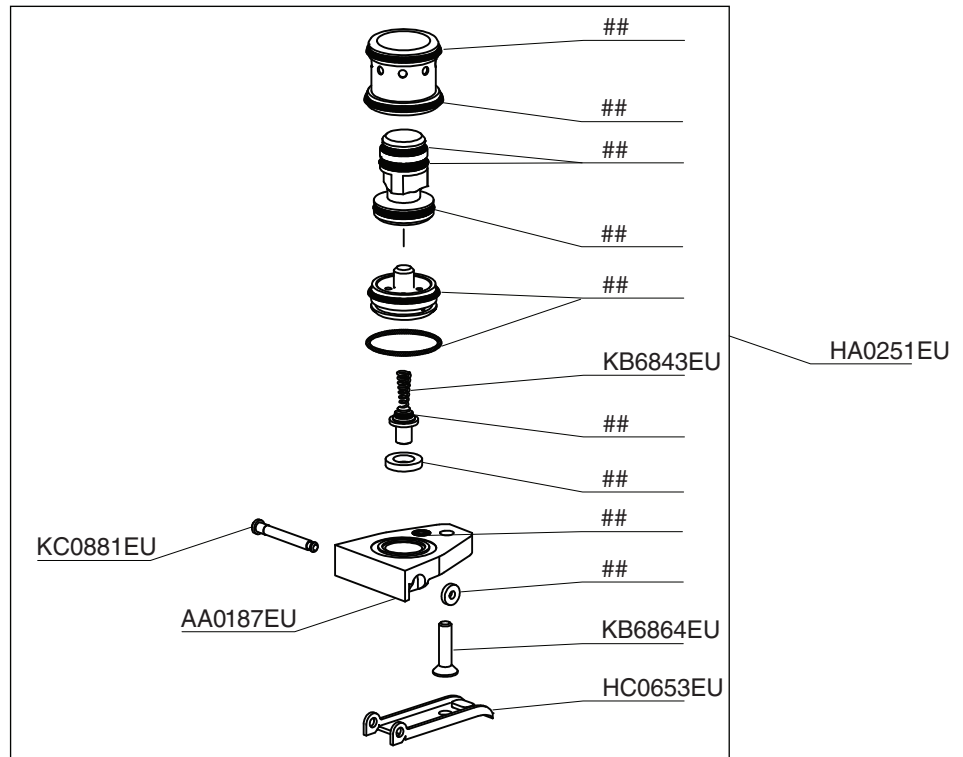
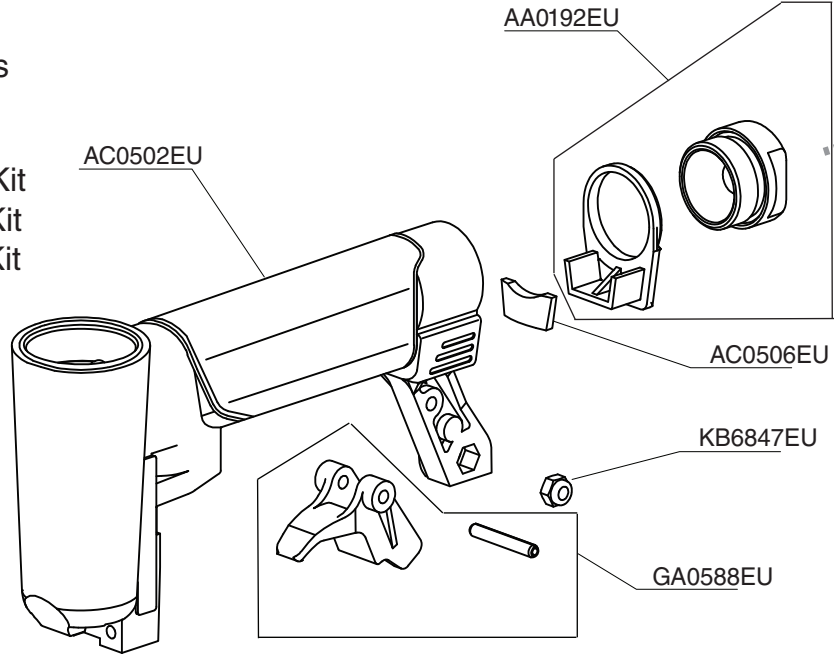
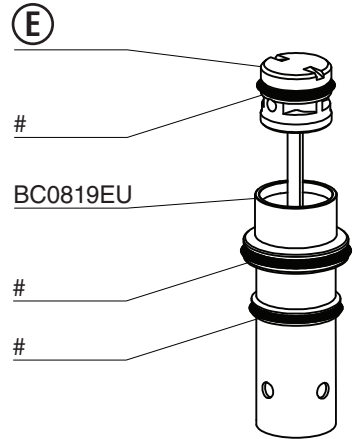
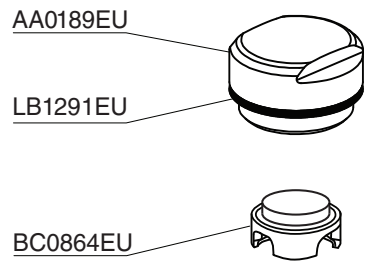
# SENCO®

Senco Brands, Inc.  
4270 Ivy Pointe Blvd.  
Cincinnati, OH 45245  
1-800-543-4596  
[www.senco.com](http://www.senco.com)  
EMEA: [www.senco-emea.com](http://www.senco-emea.com)

EU DESIGNED PARTS CAN BE DIFFERENT

- \* Does Not Include O-rings
- \* No incluye sellos de gomas
- \* Joints exclus

# Contents of YK0802EU Kit  
 ## Contents of YK0803EU Kit  
 E-Wire Safety - YK0864EU Kit



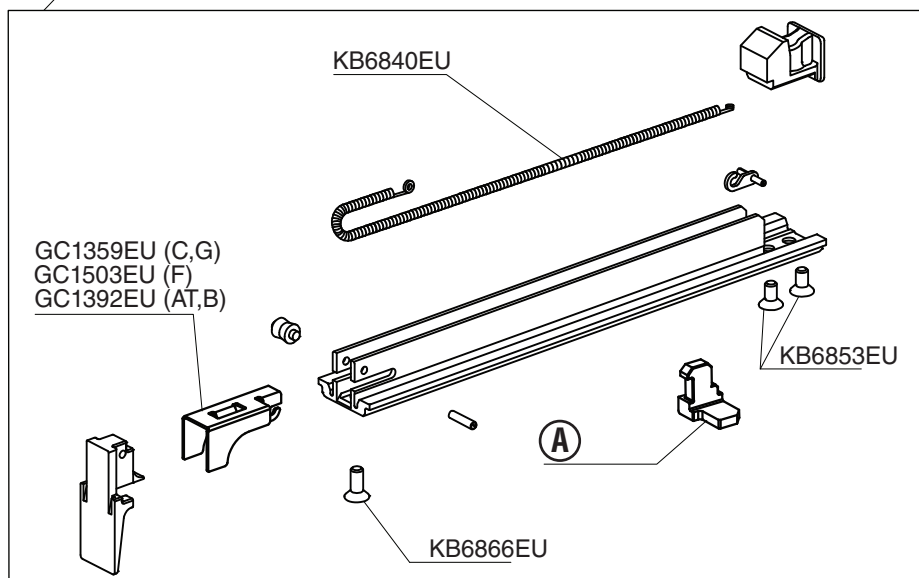
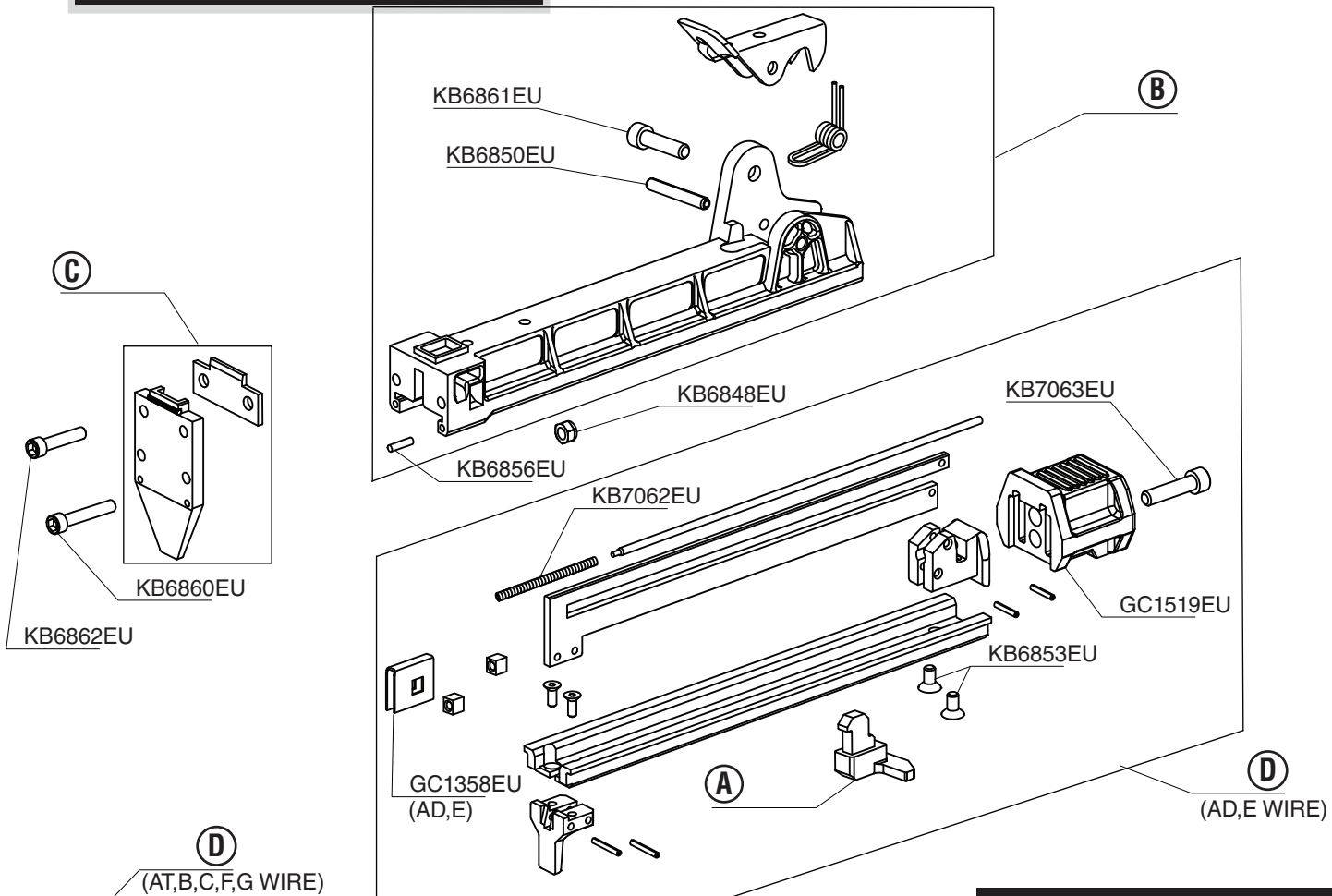
Tool #
6S2001N A/D (EU)
6S2061N AT (EU)
6S2011N B (EU)
6S2021N C (EU)
6S2031N E (EU)
6S2041N F (EU)
6S2051N G (EU)

Model	(A)	(B)	(C)	(D)	(E)
A/D WIRE	GC1521EU	GA0581EU	FA0283EU	GA0697EU	EA0247EU
AT WIRE	GC1368EU	GA0584EU	FA0294EU	GA0596EU	EA0256EU
B WIRE	GC1368EU	GA0584EU	FA0286EU	GA0596EU	EA0245EU
C WIRE	GC1368EU	GA0580EU	FA0282EU	GA0589EU	EA0244EU
E WIRE	GC1521EU	GA0581EU	FA0289EU	GA0697EU	EA0250EU
F WIRE	GC1504EU	GA0584EU	FA0288EU	GA0694EU	EA0283EU
G WIRE	GC1368EU	GA0580EU	FA0292EU	GA0589EU	EA0251EU

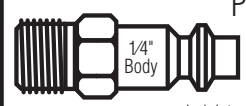

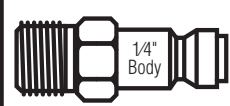

# Fine Wire Stapler

**SFT10XP**

EU DESIGNED PARTS CAN BE DIFFERENT



**Available Plugs**  
(Not Included with Tool)

	PC0479 ✓
	Ind. Interchange 1/4" NPT
	PC0486
	Ind. Interchange 1/4" NPT
	PC0468 ✓
	Tru-Flate 1/4" NPT
	PC0474
	Tru-Flate 1/4" NPT

✓ **Recommended Plugs**  
Plugs shown smaller than actual size

EU DESIGNED PARTS CAN BE DIFFERENT

## REPLACEMENT PARTS LIST • LISTA DE PARTES DE REPUESTO • LISTE DE PIÈCES DE RECHANGE

PART NO.	DESCRIPTION	DESCRIPCIÓN	DÉSIGNATION
AA0187EU	TRIGGER PLATE ASY	GATILLO PLACA	GACHETTE PLAQUE
AA0189EU	CAP ASY	TAPA	BOUCHON
AA0192EU	CAP ASY	TAPA	BOUCHON
AC0502EU	MAINBODY	CARCASA	CORPS
AC0506EU	MUFFLER	SILENCIADOR	SILENCIEUX
BC0819EU	CYLINDER SLEEVE	CILINDRO	CYLINDRE
BC0820EU	BUMPER	AMORTIGUADOR	AMORTISSEUR
BC0864EU	VALVE	VÁLVULA	VALVE
EA0244EU	PISTON DRIVER ASY (C)	PISTÓN/ACCIONADOR	PISTON/MOTEUR
EA0245EU	PISTON DRIVER ASY (B)	PISTÓN/ACCIONADOR	PISTON/MOTEUR
EA0247EU	PISTON DRIVER ASY (AD)	PISTÓN/ACCIONADOR	PISTON/MOTEUR
EA0250EU	PISTON DRIVER ASY (E)	PISTÓN/ACCIONADOR	PISTON/MOTEUR
EA0251EU	PISTON DRIVER ASY (G)	PISTÓN/ACCIONADOR	PISTON/MOTEUR
EA0256EU	PISTON DRIVER ASY (AT)	PISTÓN/ACCIONADOR	PISTON/MOTEUR
EA0283EU	PISTON DRIVER ASY (F-EU)	PISTÓN/ACCIONADOR	PISTON/MOTEUR
FA0282EU	FRONT PLATE ASY (C)	PLACA	PLAQUE
FA0283EU	FRONT PLATE ASY (AD)	PLACA	PLAQUE
FA0286EU	FRONT PLATE ASY (B)	PLACA	PLAQUE
FA0288EU	FRONT PLATE ASY (F)	PLACA	PLAQUE
FA0289EU	FRONT PLATE ASY (E)	PLACA	PLAQUE
FA0292EU	FRONT PLATE ASY (G)	PLACA	PLAQUE
FA0294EU	FRONT PLATE ASY (AT)	PLACA	PLAQUE
GA0580EU	MAGAZINE ASY (C,G)	ASAMBLE DE CARGADOR	MAGASIN D'ASSEMBLÉE
GA0581EU	MAGAZINE ASY (AD,E)	ASAMBLE DE CARGADOR	MAGASIN D'ASSEMBLÉE
GA0584EU	MAGAZINE ASY (B,F,AT)	ASAMBLE DE CARGADOR	MAGASIN D'ASSEMBLÉE
GA0588EU	LATCH ASY	ASAMBLE DE CARGADOR	MAGASIN D'ASSEMBLÉE
GA0589EU	RAIL ASY (C,G)	ASAMBLE DE CARRIL	RAIL D'ASSEMBLÉE
GA0596EU	RAIL ASY (AT,B)	ASAMBLE DE CARRIL	RAIL D'ASSEMBLÉE
GA0694EU	LATCH (F)	UÑETA	DOIGT DE RETENUE
GA0697EU	RAIL ASY (AD,E)	ASAMBLE DE CARRIL	RAIL D'ASSEMBLÉE
GC1358EU	FEEDER SHOE (AD,E)	ALIMENTADOR	POUSSOIR
GC1359EU	FEEDER SHOE (C,G)	ALIMENTADOR	POUSSOIR
GC1368EU	LATCH (B,C,G,AT)	UÑETA	DOIGT DE RETENUE
GC1392EU	FEEDER SHOE (AT,B)	ALIMENTADOR	POUSSOIR
GC1503EU	FEEDER SHOE(F)	ALIMENTADOR	POUSSOIR
GC1504EU	LATCH (F)	UÑETA	DOIGT DE RETENUE
GC1519EU	END CAP (AD,E)	TAPA	BOUCHON
GC1521EU	LATCH (AD,E)	UÑETA	DOIGT DE RETENUE
HA0251EU	TRIGGERING ASY	ASAMBLE DE GATILLO	GACHETTE D'ASSEMBLÉE
HC0653EU	TRIGGER	GATILLO	GACHETTE
KB6840EU	SPRING	RESORTE	RESSORT
KB6843EU	SPRING	RESORTE	RESSORT
KB6847EU	NUT	TUERCA	ÉCROU
KB6848EU	NUT	TUERCA	ÉCROU
KB6850EU	PIN	PASADOR	GOUPILLE
KB6853EU	SCREW	TORNILLO	VIS
KB6856EU	PIN	PASADOR	GOUPILLE
KB6860EU	SCREW	TORNILLO	VIS
KB6861EU	SCREW	TORNILLO	VIS
KB6862EU	SCREW	TORNILLO	VIS
KB6864EU	SCREW	TORNILLO	VIS
KB6866EU	SCREW	TORNILLO	VIS
KC0881EU	PIN	PASADOR	GOUPILLE
KB7062EU	SPRING	RESORTE	RESSORT
KB7063EU	SCREW	TORNILLO	VIS
LB1291EU	O-RING	SELLO	JOINT