

SFW09

C-Wire Stapler

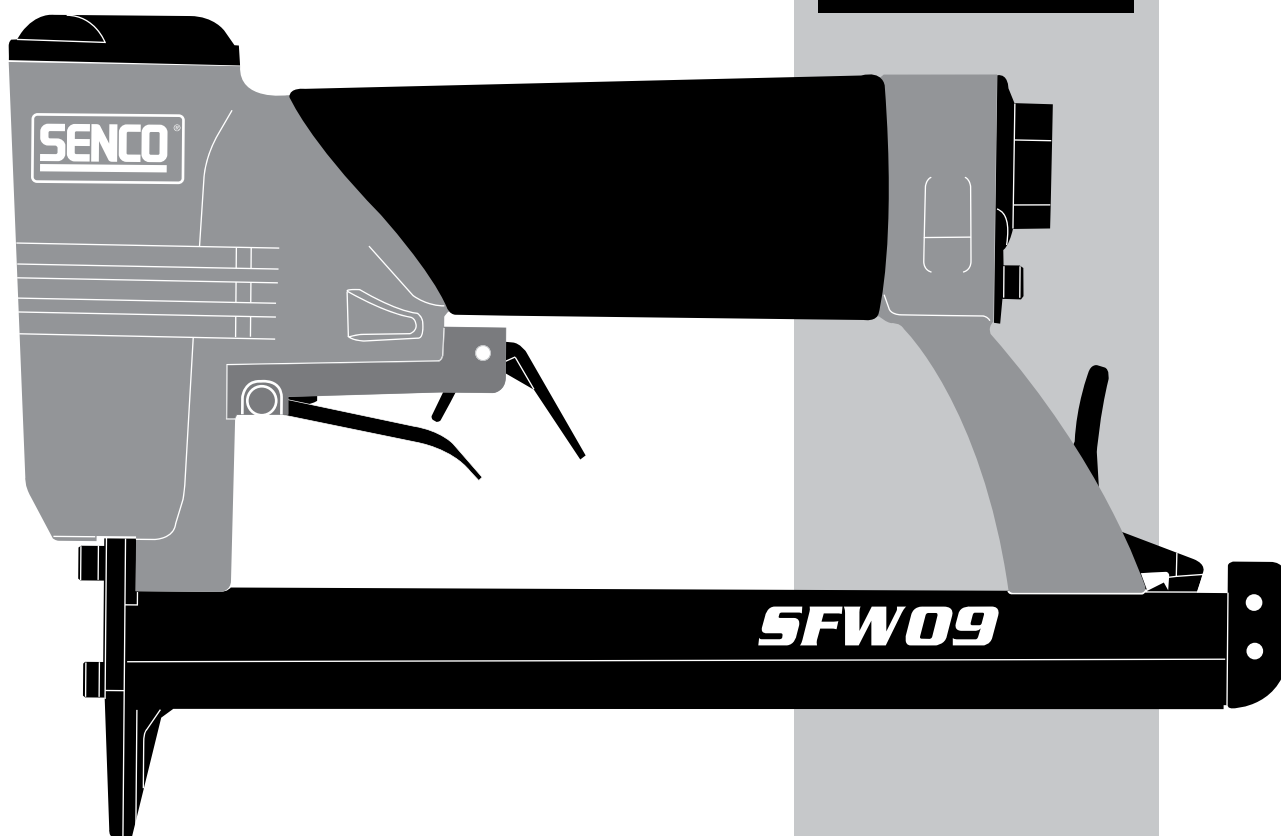


SENCOMATIC

Parts Reference Guide

Repair Kit

YK0782EU



*** Schematic drawings inside**

*Senco Brands Inc.
4270 Ivy Pointe Blvd.
Cincinnati, Ohio 45245
Visit Our Website: www.senco.com
EU Website: www.senco-emea.com*

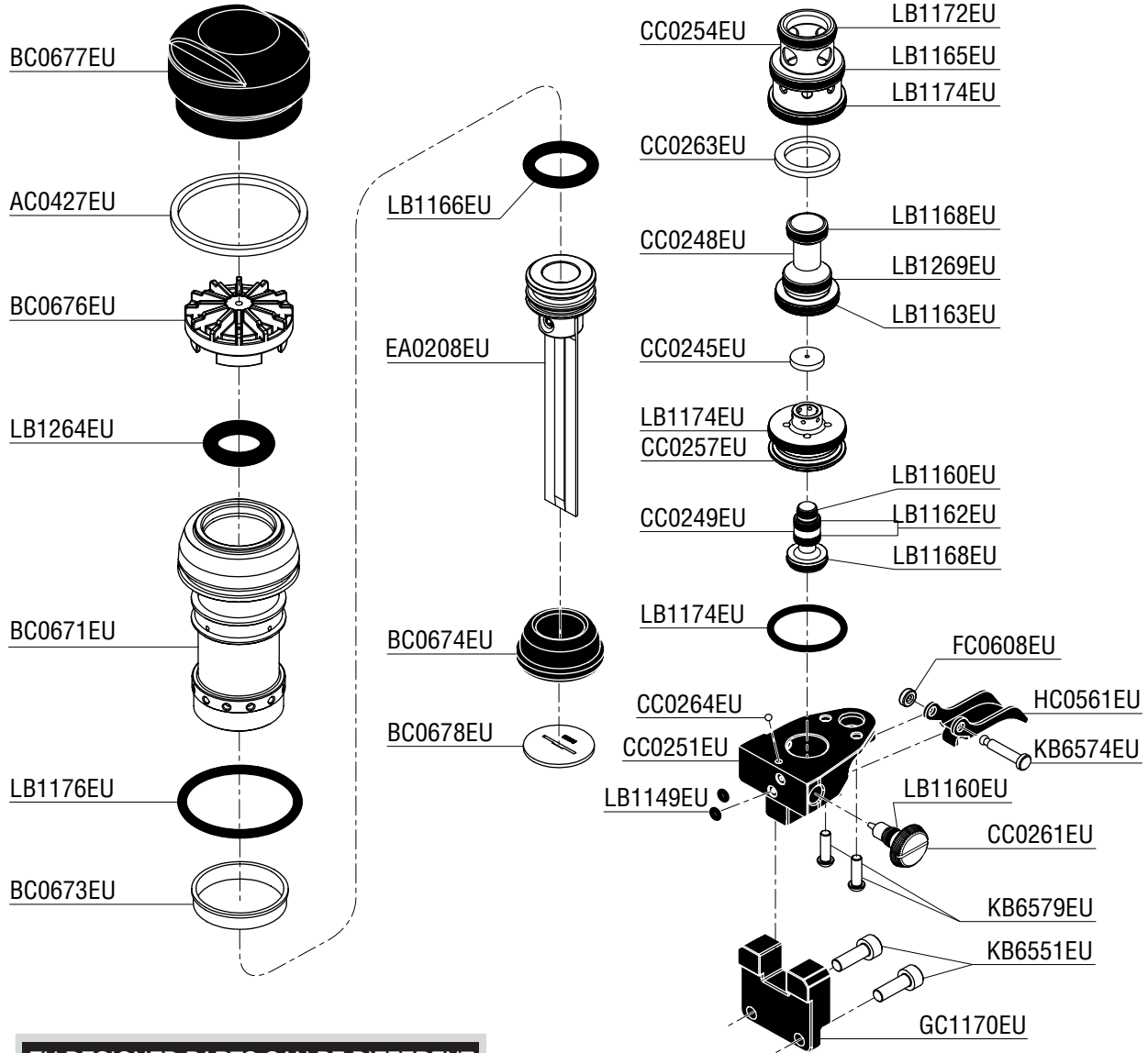
*Questions? Comments? call SENCO's toll-free Action-line:
1-800-543-4596 (North & South America only)
or e-mail: toolprof@senco.com*

SFW09 C-WIRE STAPLER

SENGOMATIC

SENCO®

Tool #
4C0071N C-WIRE SENCOMATIC (US)
4C2071N C-WIRE SENCOMATIC (EU)

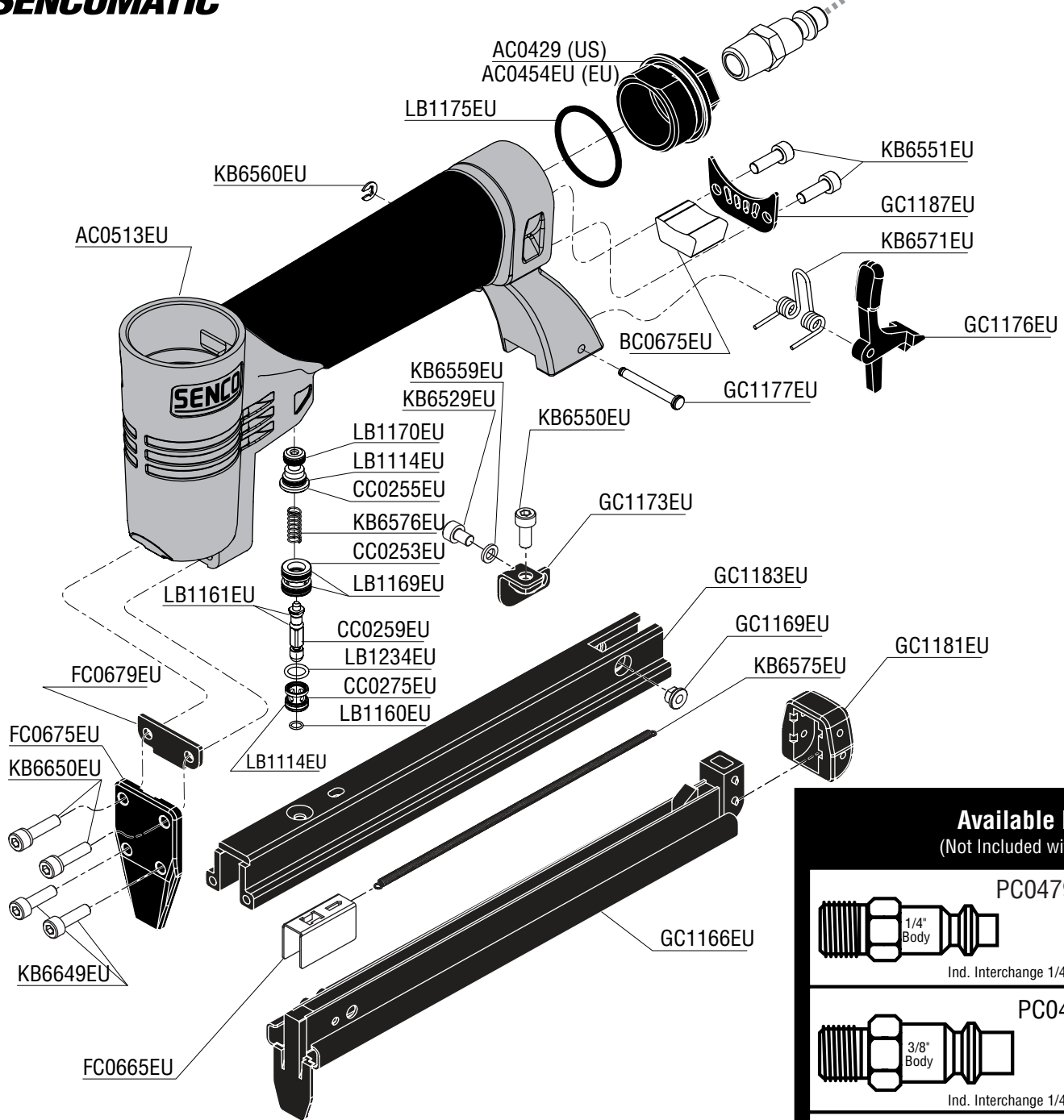


EU DESIGNED PARTS CAN BE DIFFERENT

SFW09 C-WIRE STAPLER

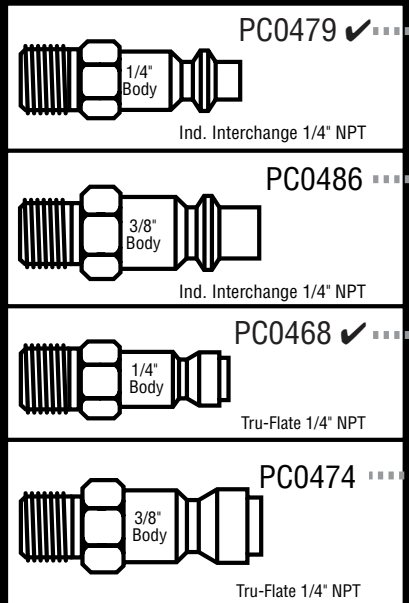
SENGOMATIC

SENCO®



EU DESIGNED PARTS CAN BE DIFFERENT

Available Plugs (Not Included with Tool)



✓ **Recommended Plugs**
Plugs shown smaller than actual size

PART NO.	DESCRIPTION	DESCRIPCIÓN	BESCHREIBUNG	DÉSIGNATION
AC0427EU	SEAL	SELLO	DICHTUNG	JOINT
AC0429	CAP (US)	TAPA	KAPPE	BOUCHON
AC0454EU	CAP (EU)	TAPA	KAPPE	BOUCHON
AC0513EU	MAIN BODY	CARCASA	GEHÄUSE	CORPS
BC0671EU	CYLINDER	CILINDRO	ZYLINDER	CYLINDRE
BC0673EU	RING	ANILLO	REI FEN	ANNEAU
BC0674EU	BUMPER	AMORTIGUADOR	PUFFER	AMORTISSEUR
BC0675EU	MUFFLER	SILENCIADOR	DÄMPFER	SILENCIEUX
BC0676EU	SEAL	SELLO	DICHTUNG	JOINT
BC0677EU	DEFLECTOR	TAPA	KAPPE	BOUCHON
BC0678EU	GUIDE	GUÍA	FÜHRUNG	GUIDE
CC0245EU	PAD	AMORTIGUADOR	SCHUTZ	COUSSIN
CC0248EU	PLUNGER (A)	VÁLVULA	VENTIL	VALVE
CC0249EU	PLUNGER (B)	VÁLVULA	VENTIL	VALVE
CC0251EU	CAP	TAPA	KAPPE	BOUCHON
CC0253EU	VALVE HEAD	VÁLVULA	VENTIL	VALVE
CC0254EU	VALVE HEAD (B)	VÁLVULA	VENTIL	VALVE
CC0255EU	VALVE HEAD (C)	VÁLVULA	VENTIL	VALVE
CC0257EU	CAP	TAPA	KAPPE	BOUCHON
CC0259EU	STEM (A)	VÁLVULA	VENTIL	VALVE
CC0261EU	ADJUSTOR	TORNILLO	SCHRAUBE	VIS
CC0263EU	COLLAR	CILINDRO	ZYLINDER	CYLINDRE
CC0264EU	BALL	BOLLA	KUGEL	BOULE
CC0275EU	VALVE	VÁLVULA	VENTIL	VALVE
EA0208EU	PISTON ASSEMBLY	ASAMBLE DE PISTON (US)	KOLBEN-ZUSAMMENBAU (US)	ENSEMBLE PISTON-COUTEAU (US)
FC0608EU	RETAINER	JUNTA TÓRICA	SICHERUNGSRING	RETENUE
FC0665EU	FEEDER	ALIMENTADOR	KLAMMERSCHIEBER	POUSSOIR
FC0675EU	PLATE	PLACA	PLATTE	PLAQUE
FC0679EU	GASKET	SELLO	DICHTUNG	JOINT
GC1166EU	GUIDE	CARGADOR	MAGAZIN	MAGASIN
GC1169EU	ANCHOR	ACOPLAMIENTO	EINSATZ	INSERT
GC1170EU	ANCHOR	PLACA	PLATTE	PLAQUE
GC1173EU	BRACKET	SOPORTE	HALTERUNG	CAVALIER
GC1176EU	LATCH	UÑETA	VERSCHLUSS	DOIGT DE RETENUE
GC1177EU	PIN	PASADOR	STIFT	GOUPILLE
GC1181EU	COVER	CUBIERTA	ABDECKUNG	PORTE
GC1183EU	MAGAZINE (B)	CARGADOR	MAGAZIN	MAGASIN
GC1187EU	PLATE	PLACA	PLATTE	PLAQUE
HC0561EU	TRIGGER	GATILLO	AUSLÖSER	GÂCHETTE
KB6529EU	SCREW	TORNILLO	SCHRAUBE	VIS
KB6550EU	SCREW	TORNILLO	SCHRAUBE	VIS
KB6551EU	SCREW	TORNILLO	SCHRAUBE	VIS
KB6559EU	WASHER	ARANDELA	SCHEIBE	RONDELLE
KB6560EU	RING	ANILLO DE RESORTE	SICHERUNGSRING	ANNEAU ÉLASTIQUE
KB6571EU	SPRING	RESORTE	FEDER	RESSORT
KB6574EU	PIN	PASADOR	STIFT	GOUPILLE
KB6575EU	SPRING	RESORTE	FEDER	RESSORT
KB6576EU	SPRING	RESORTE	FEDER	RESSORT
KB6579EU	SCREW	TORNILLO	SCHRAUBE	VIS
KB6649EU	SCREW	TORNILLO	SCHRAUBE	VIS
KB6650EU	SCREW	TORNILLO	SCHRAUBE	VIS
LB1114EU	SEAL	SELLO	DICHTUNG	JOINT
LB1149EU	SEAL	SELLO	DICHTUNG	JOINT
LB1160EU	SEAL	SELLO	DICHTUNG	JOINT
LB1161EU	SEAL	SELLO	DICHTUNG	JOINT
LB1162EU	SEAL	SELLO	DICHTUNG	JOINT
LB1163EU	SEAL	SELLO	DICHTUNG	JOINT
LB1165EU	SEAL	SELLO	DICHTUNG	JOINT
LB1166EU	SEAL	SELLO	DICHTUNG	JOINT
LB1168EU	SEAL	SELLO	DICHTUNG	JOINT
LB1169EU	SEAL	SELLO	DICHTUNG	JOINT
LB1170EU	SEAL	SELLO	DICHTUNG	JOINT
LB1172EU	SEAL	SELLO	DICHTUNG	JOINT
LB1174EU	SEAL	SELLO	DICHTUNG	JOINT
LB1175EU	SEAL	SELLO	DICHTUNG	JOINT
LB1176EU	SEAL	SELLO	DICHTUNG	JOINT
LB1234EU	SEAL	SELLO	DICHTUNG	JOINT
LB1264EU	SEAL	SELLO	DICHTUNG	JOINT
LB1269EU	SEAL	SELLO	DICHTUNG	JOINT