



Smart BoardMaster

Coilnailer

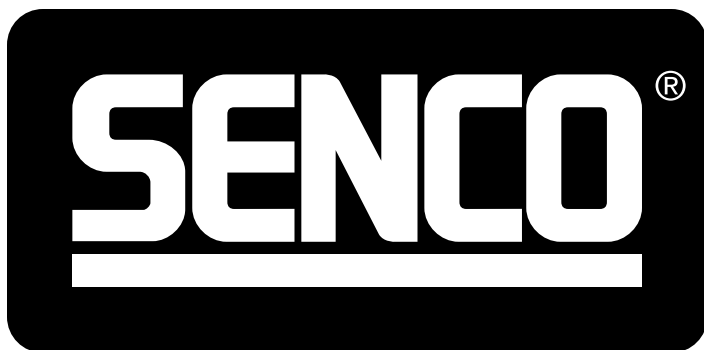
SCN49XP

Parts Reference Guide

Guía de referencia
de piezas

Pièces Guide
de référence

Schematic Drawings Inside
Plano esquemático en el interior
Schéma intérieur



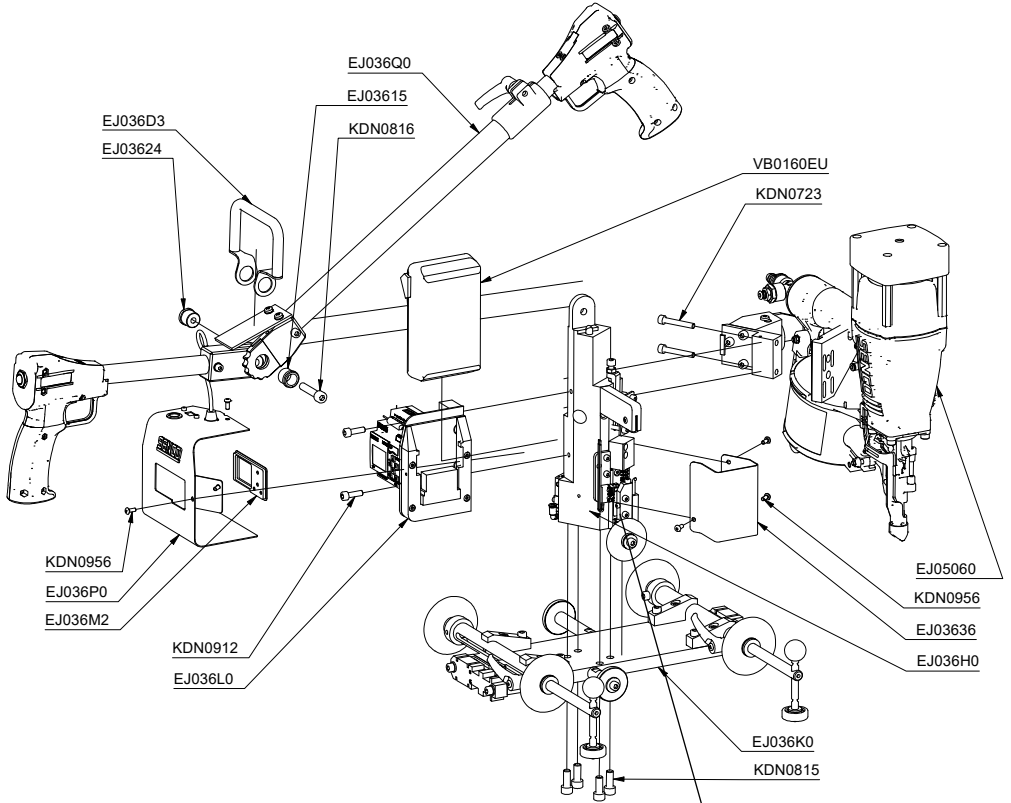
Kyocera Senco Europe
Pascallaan 88
8218 NJ Lelystad, The Netherlands
+31 320 295 575
senco.eu

NFE0SS1062020



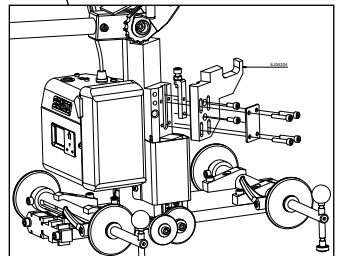
Smart BoardMaster Coilnailer

SCN49XP Smart BoardMaster - EJ03800



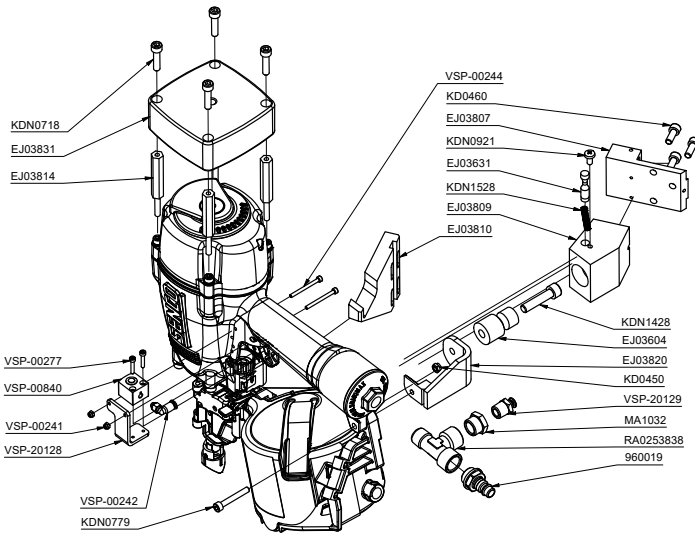
REPLACEMENT PARTS LIST

PART NO.	DESCRIPTION
EJ036Q0	JOINT 2
EJ036D3	BOW HANDLE
KDN0816	SCHRAUBE ISO 4762-M8X40-8.8-ZN
EJ03636	COVER PLATE
EJ05060	MODIFIED SCN49XP SBM
EJ036H0	HOLDER ASSY
KDN0921	LENS HEAD SCREW M5X10 GALV.
EJ03631	LOCKING PIN
KDN1528	COMPRESSION SPRING
EJ03615	BUSHING
KDN0956	SCREW ISO 7380 M4X10 GALVANIZED
EJ03624	BUSHING
EJ036P0	JOINT 1
KDN0912	SCHRAUBE ISO 4762/DIN912 M6X20-8.8-ZN
KDN0956	SCREW ISO 7380 M4X10 GALVANIZED
EJ036L0	MAGNETIC VALVE
VB0160EU	BATTERY 18V LI-ION-1.5AH FUSION/DURASPIN
EJ036K0	BASE PLATE
KDN0815	SCHRAUBE ISO 4762-M8X20-8.8-ZN
KDN0956	SCREW ISO 7380 M4X10 GALVANIZED



EJ04304

SCN65XP Tool Smart BoardMaster - EJ05060

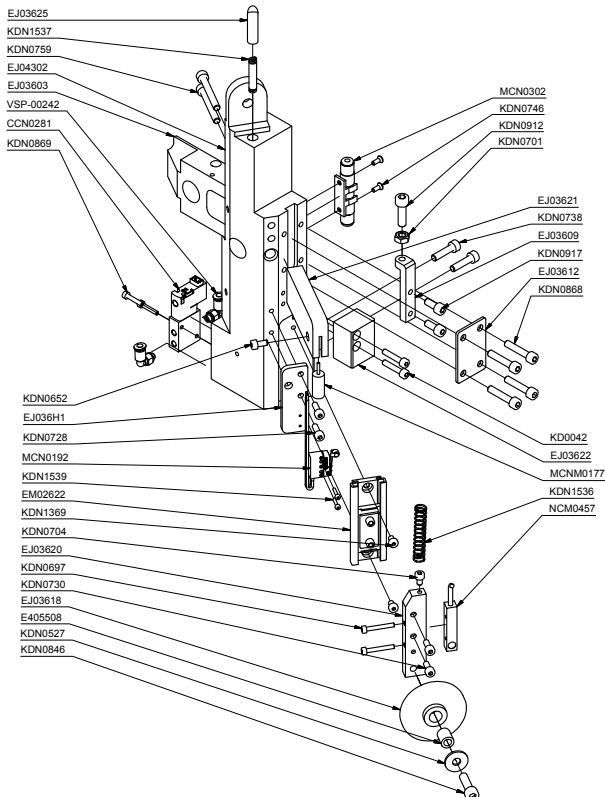


REPLACEMENT PARTS LIST

PART NO.	DESCRIPTION
960019	Plug cejn 320, 3/8" male
EJ03604	AXIS
EJ03631	LOCKING PIN
EJ03807	BOCK SBM SCN65
EJ03809	Bock SBM SCN49
EJ03810	Toolholder SBM SCN49
EJ03814	Bushing 50mm
EJ03820	Assembly SCN49 for SBM
EJ03831	Weight SBM SCN49
KD0450	MUTTER DIN985/8.8 M5 VERZINKT MIT K
KD0460	SCHRAUBE ISO 4762-M6X16-8.8-zn
KDN0718	SCHRAUBE ISO 4762-M6X25-8.8-zn
KDN0779	SCHRAUBE ISO 4762/DIN912 M5X35-8.8-zn
KDN0921	LENS HEAD SCREW M5X10 GALV.
KDN1428	Bolt ISO4762 - M8 x 35
KDN1528	COMPRESSION SPRING
MA1032	3/8 - 1/4 REDUCING BUSH
RA0253838	T-STUK BI/BI/BU 3/8"
VSP-00241	LOCK NUT DIN985 M3
VSP-00242	PUSH-IN CONNECTOR
VSP-00244	BOLT DIN912 M3X35MM
VSP-00277	BOLT DIN912 M3X15MM
VSP-00840	PNEUMATIC CONTROL CYLINDER
VSP-20128	Trigger bracket SCN49
VSP-20129	Push-in connector 3/8 - 4mm



SCN49XP Smart BoardMaster HOLDER ASSY - EJO40H0



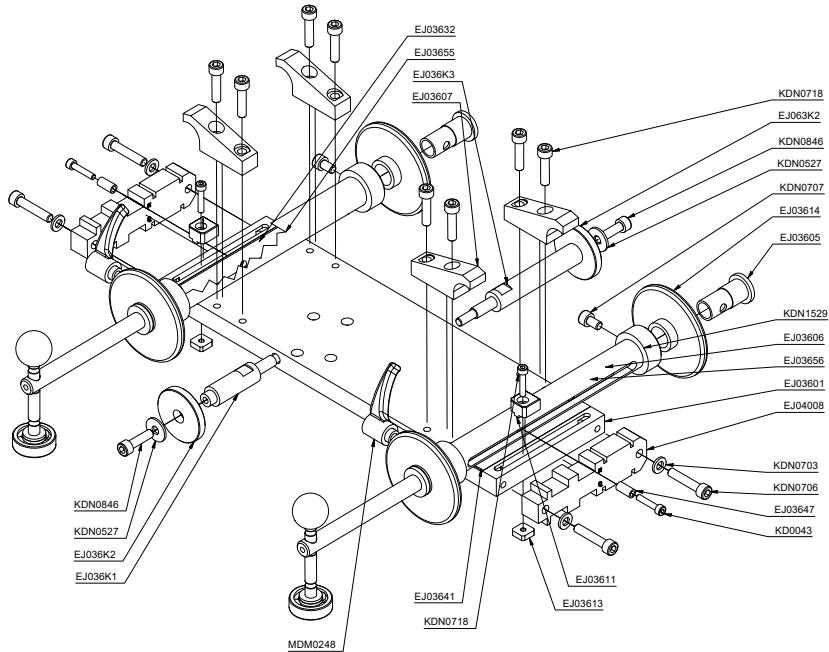
REPLACEMENT PARTS LIST

PART NO.	DESCRIPTION
EJO4302	STANDER HIGH
EJO36H1	SHEET METAL PIECE
EJO3612	SHEET METAL PART
EJO3620	WHEEL HOLDER
EJO3622	SPRING HOLDER
EJO3660	COUNTER WHEEL COMPLETE
EJO3621	LASER BRACKET
EJO3625	RETAINING PIN
EM02622	SLIDING NK-02-27-1.72
EJO3609	ADJUSTING WEDGE
KDN0869	HEXAGON SOCKET HEAD CAP SCREW - DIN EN ISO 4762 - M3 X 16.1PT
KDN0759	HEXAGON SOCKET HEAD CAP SCREW - DIN EN ISO 4762 - M4 X 40
KDN1537	PRESSURE SPRING
CCN0281	3/2 VALVE
KDN0868	HEXAGON SOCKET HEAD CAP SCREW - DIN EN ISO 4762 - M5 X 25
E405508	BUSHING
KDD042	HEXAGON SOCKET HEAD CAP SCREW - ISO 4762 - M4 X 20
KDN0917	HEXAGON SOCKET HEAD CAP SCREW - ISO 4762 - M5 X 12
NCM0457	PROXIMITY SWITCH IND
NCM0192	CHERRY DC1C-C3RB
NCM0177	LASER
MCN0302	FILTER
KDN1536	PRESSURE SPRING

REPLACEMENT PARTS LIST

PART NO.	DESCRIPTION
KDN0746	ISO 10642 - M3 X 8.1PT
KDN0701	HEX NUT - DIN 934 - M6
KDN0912	CYLINDER HEAD CAP SCREW - DIN 912 - M6 X 20
KDN0738	HEXAGON SOCKET HEAD CAP SCREW - ISO 4762 - M5 X 20
KDN0704	HEXAGON SOCKET HEAD CAP SCREW - ISO 4762 - M4 X 10
KDN0730	HEXAGON SOCKET HEAD CAP SCREW - ISO 4762 - M4 X 10
KDN0846	HEXAGON SOCKET HEAD CAP SCREW - ISO 4762 - M6 X 22
KDN0527	WASHER - DIN 9021 - 6.4
KDN0697	HEXAGON SOCKET HEAD CAP SCREW - ISO 4762 - M3 X 22
KDN1369	CYLINDER HEAD CAP SCREW - DIN 7984 - M4 X 6
KDN1539	HEXAGON SOCKET HEAD CAP SCREW - ISO 4762 - M2 X 10
KDN0728	HEXAGON SOCKET HEAD CAP SCREW - ISO 4762 - M4 X 12
KDN0652	HEXAGON SOCKET HEAD CAP SCREW - ISO 4762 - M4 X 8
VSP-00242	OSML-PUSH-IN-L-FITTING
EJO3603	BEARING BRACKET

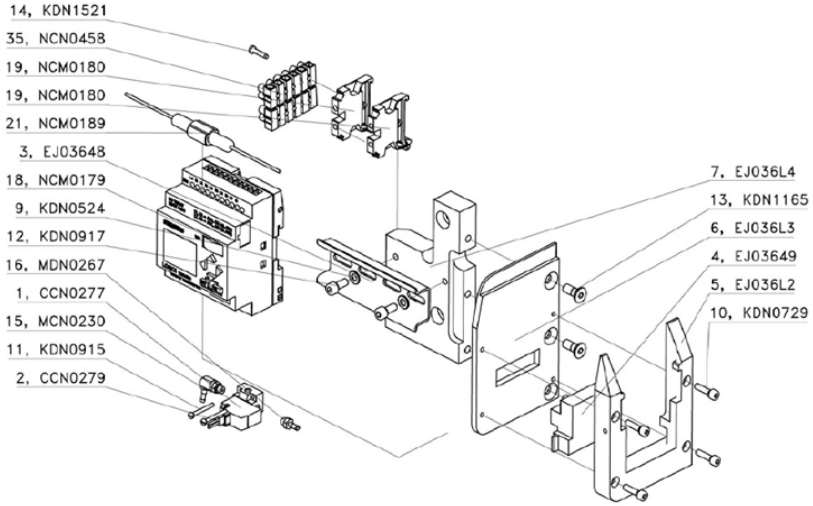
Smart BoardMaster CASTOR CARRIER - EJ036K0



REPLACEMENT PARTS LIST

PART NO.	DESCRIPTION
1	EJ03601 BOTTOM PLATE GRUNDPLATTE PLAQUE DE BASE
2	EJ03605 BEARING BUSHING LAGERBUCHSE COUSSINET DE PALIER
3	EJ03606 AXLE HOLDER ROHRTRÄGER SUPPORTS DE TUYAUTERIE
4	EJ03607 CLAMP KLEMMME CRAMPON
5	EJ03611 DISTANCE STOP ABSTANDSANSCHLAG BUTÉE DE DISTANCE
6	EJ03613 TREADED PART GEW-STÜCK PIÈCE FILETÉE
7	EJ03614 WHEEL RAD ROUE
8	EJ03641 SCALE LEFT SKALA LINKS ÉCHELLE GAUCHE
9	EJ03647 BUSHING BUCHSE BAGUE
10	EJ03655 RULER INCH LEFT
11	EJ03656 RULER INCH RIGHT
12	EJ036K1 AXLE ACHSE AXE
13	EJ036K2 WHEEL RAD ROUE
14	EJ036K3 AXLE ACHSE2 AXE 2
15	EJ04008 SLIDER
16	EJ063K2 WHEEL
17	J03632 SCALE RIGHT
18	KD0043 SCREW
19	KDN0527 WASHER SCHEIBE DIN9021 RONDELLE DIN9021
20	KDN0703 WASHER SCHEIBE 6.4 RONDELLE 6.4
21	KDN0706 HOLDER SCHRAUBE VIS
22	KDN0707 SCREW SCHRAUBE VIS
23	KDN0718 SCREW SCHRAUBE VIS
24	KDN0846 SCREW SCHRAUBE M6x22 VIS
25	KDN1529 ADJUSTMENT RING STELLRING A20 BAGUE DE RÉGLAGE A20
26	MDM0248 ADJUSTMENT HANDLE KLEMMHEBEL LEVIER DE SERRAGE

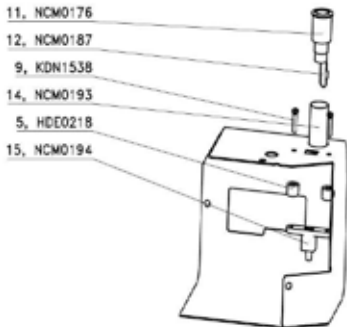
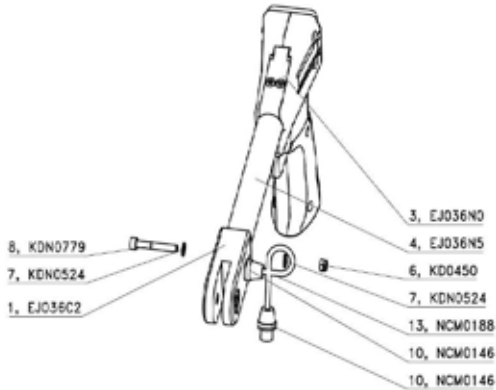
Smart BoardMaster CONTROL ASSY - EJ036L



REPLACEMENT PARTS LIST · LISTA DE PARTES DE REPUESTO · ERSATSTEILE-LISTE · LISTE DE PIÈCES DE RECHANGE

PART NO.	DESCRIPTION	BEZEICHNUNG	DESCRIPTION
1	CCN0277	SOLENOID VALVE	MAGNETVENTIL
2	CCN0279	CONNECTOR	STECKER MIT ABDECKUNG
3	EJ03648	HOLDER RAIL	TRAGSCHIENE
4	EJ03649	SOCKET	STECKDOSE
5	EJ036L2	BATTERY HOLDER	ACCUHALTER
6	EJ036L3	WALL	WAND
7	EJ036L4	HOLDER PLATE	HALTEPLATTE
8	EJ036P3	CIRCUIT DIAGRAM	SCHALTPLAN
9	KDN0524	WASHER	SCHEIBE 5.3
10	KDN0729	SCREW	SCHRAUBE
11	KDN0917	SCREW	SCHRAUBE
12	KDN0915	SCREW	ZYLINDERSCHRAUBE
13	KDN1165	SCREW	SCHRAUBE
14	KDN1521	SCREW	LINSENKOPFSCHRAUBE 3X16
15	MCN0230	BARBED L FITTING	L-STECKNIPPELVERSCHR
16	MDN0267	THREADED NIPPLE FITTING	STECKNIPPEL-VERSCHR
17	MDN0312	AIR HOSE	SCHLAUCH
18	NCM0179	SIEMENS LOGO (PLC)	SIEMENS LOGO
19	NCM0180	CLAMP	KLEMME
20	NCM0186	RESISTOR	WIDERSTAND
21	NCM0190	FUSE	FEINSICHERUNG
22	NCM0191	SWITCH	CHERRY D453-V1RA
23	NCM0195	WIRE (YELLOW)	LITZE L1FY 1 X 0.25 MM² GELB
24	NCM0197	WIRE (RED)	LITZE L1FY 1 X 0.25 MM² ROT
25	NCM0198	WIRE (BLACK)	LITZE L1FY 1 X 0.25 MM² SCHWARZ
26	NCM0199	WIRE (WHITE)	LITZE L1FY 1 X 0.25 MM² WEISS
27	NCM0201	WIRE (BLUE)	LITZE L1FY 1 X 0.25 MM² BLAU
28	NCM0202	WIRE (BROWN)	LITZE L1FY 1 X 0.25 MM² BRAUN
29	NCM0203	WIRE (GREEN)	LITZE L1FY 1 X 0.25 MM² GRÜN
30	NCM0204	SHRINK SLEEVE	SCHRUMPFSCHLAUCH
31	NCM0205	SHRINK SLEEVE	SCHRUMPFSCHLAUCH
32	NCM0206	FERRULE	ADERENDHÜLSE 0.5
33	NCM0207	FERRULE	ADERENDHÜLSE 1.50
34	NCM0208	TIE-WRAP	KABELBINDER 100X2.5
35	NCN0458	CLAMP	STECHVERBINDERKLEMME
			ÉLECTROVANNE
			CONNECTEUR À COUVERCLE
			RAIL SUPPORT
			PRISE DE COURANT
			SUPPORT DE BATTERIE
			WAND
			PLAQUE SUPPORT
			SCHEMA DU CIRCUIT
			RONDELLE 5.3
			VIS
			VIS À TÊTE DE CYLINDRE
			VIS
			VIS À TÊTE CYLINDRIQUE 3X16
			RACCORD BARBÉ L
			RACCORD À DOUILLE FILETÉ
			TUYAU
			LOGO SIEMENS
			CRAMPON
			RESISTANCE
			MICROFUSIBLE
			INTERRUPTEUR D453-V1RA
			CÂBLE L1Y 1 X 0.25 MM² JAUNE
			CÂBLE L1Y 1 X 0.25 MM² ROUGE
			CÂBLE L1Y 1 X 0.25 MM² NOIR
			CÂBLE L1Y 1 X 0.25 MM² BLANC
			CÂBLE L1Y 1 X 0.25 MM² BLEU
			CÂBLE L1Y 1 X 0.25 MM² BRUN
			CÂBLE L1Y 1 X 0.25 MM² VERT
			TUBE THERMORÉTRACTABLE
			TUBE THERMORÉTRACTABLE
			EMBOÛT DE CÂBLE 0.5
			EMBOÛT DE CÂBLE 1.50
			ATTACHE DE CÂBLES R 100X2.5
			BORNE DE RACCORDEMENT

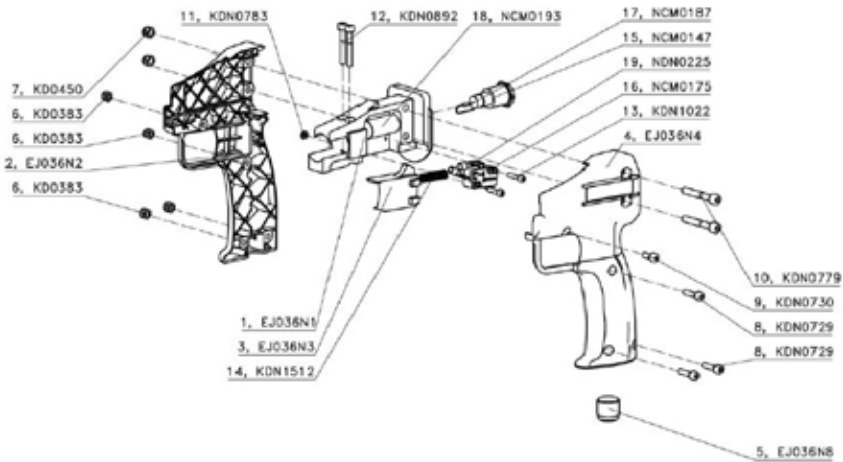
Smart BoardMaster SHORT ARM - EJO36P0



REPLACEMENT PARTS LIST · LISTA DE PARTES DE REPUESTO · ERSATSTEILE-LISTE · LISTE DE PIÈCES DE RECHANGE

PART NO.	DESCRIPTION	BEZEICHNUNG	DESCRIPTION
1	EJO36C2	GELENK 1	JOINT 1
2	EJO36M0	BLECH VORNE	PLAQUE FRONTALE
3	EJO36N0	HANDGRIF	POIGNÉE
4	EJO36N5	ROHR 22X200	TUYAU 22X200
5	HDE0218	BUCHSE	BAGUE
6	KD0450	SECHSKANTMUTTER	ÉCROU HEXAGONAL
7	KDN0524	SCHEIBE 5.3	RONDELLE 5.3
8	KDN0779	SCHRAUBE	VIS
9	KDN1538	LINSENKREUZSCHLITZSCHRAUBE	VIS À TÊTE CRUCIFORME/PHILLIPS
10	NCM0146	KABELVERSCHRAUBUNG	PASSE-CÂBLE À VIS
11	NCM0176	SCHALTER EIN/AUS	INTERRUPEUR ON/OFF
12	NCM0187	WIDERSTAND	RÉSISTANCE
13	NCM0188	STUELERLEITUNG	CÂBLE DE COMMANDE
14	NCM0193	SCHRUMPFSCHLAUCH	TUBE THERMORÉTRACTABLE
15	NCM0194	USB MIKRO BUCHSE	PRISE MICRO USB
16	NCM0198	LITZE L1FY 1 X 0.25 MM² SCHWARZ	CÂBLE L1Y 1 X 0.25 MM² NOIR
17	NCM0201	LITZE L1FY 1 X 0.25 MM² BLAU	CÂBLE L1Y 1 X 0.25 MM² BLEU
18	NCM0202	LITZE L1FY 1 X 0.25 MM² BRAUN	CÂBLE L1Y 1 X 0.25 MM² BRUN
19	NCM0206	FERRULE	EMBOUT DE CÂBLE
20	NCM0208	TIE-WRAP	ATTACHE DE CÂBLES 100X2.5
21	NCM0456	ISOLIERSCHLAUCH	TUYAU ISOLANT

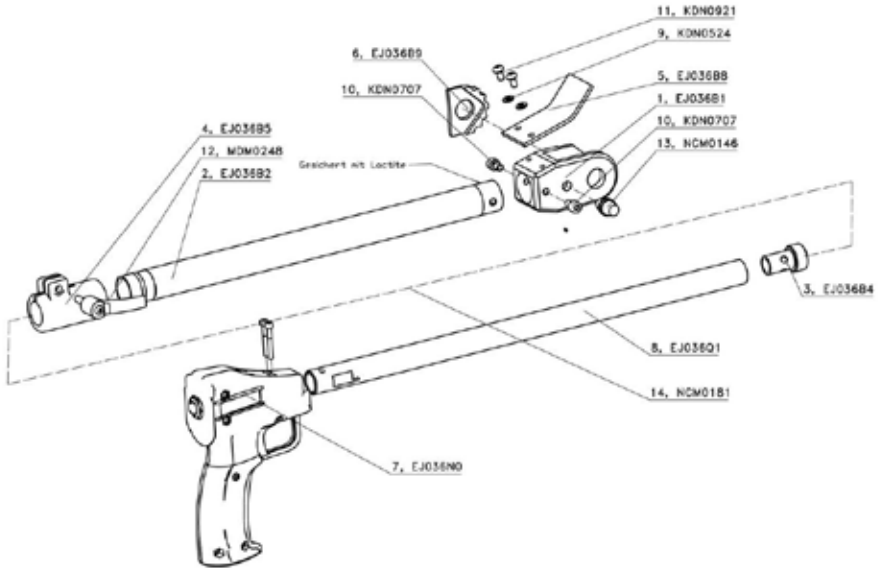
Smart BoardMaster HAND GRIP - EJ036N0



REPLACEMENT PARTS LIST - LISTA DE PARTES DE REPUESTO · ERSATZTEILE-LISTE · LISTE DE PIÈCES DE RECHANGE

PART NO.	DESCRIPTION	BEZEICHNUNG	DESCRIPTION	
1	EJ036N1	HOLDER	HALTER	SUPPORT
2	EJ036N2	RIGHT HANDGRIP HOLDER	GRIFFSCHALE RECHTS MOD	SUPPORT DE POIGNÉE DROITE
3	EJ036N3	TRIGGER	AUSLÖSER PSD MOD	DÉCLENCHEUR
4	EJ036N4	LEFT HANDGRIP HOLDER	GRIFFSCHALE LINKS MOD	SUPPORT DE POIGNÉE GAUCHE
5	EJ036N8	PLUG	STOPFEN	BOUCHON
6	KD0383	NUT	SECHSKANTMUTTER	ÉCROU HEXAGONAL
7	KD0450	NUT	SECHSKANTMUTTER	ÉCROU HEXAGONAL
8	KDN0729	SCREW	SCHRAUBE	VIS
9	KDN0730	SCREW	SCHRAUBE	VIS
10	KDN0779	SCREW	SCHRAUBE	VIS
11	KDN0783	NUT	MUTTER	ÉCROU
12	KDN0892	SCREW	SCHRAUBE	VIS
13	KDN1022	SCREW	SCHRAUBE	VIS
14	KDN1512	COMPRESSION SPRING	DRUCKFEDER	RESSORT DE PRESSION
15	NCM0147	BUTTON	DRUCKTASTER	BOUTON POUSSOIR
16	NCM0175	SWITCH	MICROSCHALTER CHERRY	MICROINTERRUPTEUR CHERRY
17	NCM0187	RESISTOR	WIDERSTAND	RÉSISTANCE
18	NCM0193	SHRINK SLEEVE	SCHRUMPFSCHLAUCH	TUBE THERMORÉTRACTABLE
19	NDN0225	SOCKET	FLACHSTECKHÜLSE	PORTE-LAME
100	NCM0193	SHRINK SLEEVE	SCHRUMPFSCHLAUCH	TUBE THERMORÉTRACTABLE

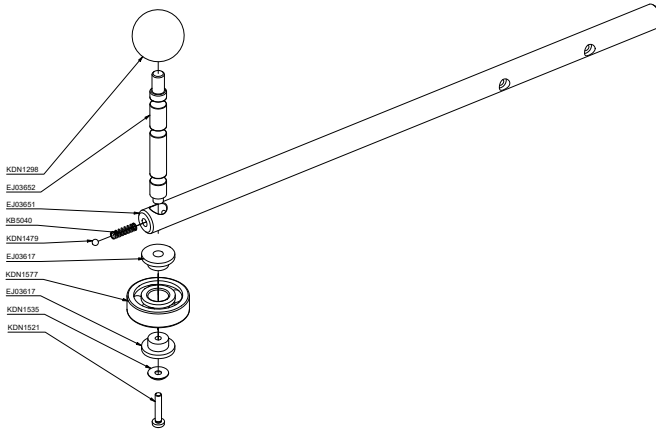
Smart BoardMaster TELESCOPIC ARM - EJO36Q0



REPLACEMENT PARTS LIST · LISTA DE PARTES DE REPUESTO · ERSATZTEILE-LISTE · LISTE DE PIÈCES DE RECHANGE

PART NO.	DESCRIPTION	BEZEICHNUNG	DESCRIPTION	
1	EJO36B1	JOINT	GELENK 2	JOINT 2
2	EJO36B2	TUBE	ROHR 28X2	TUYAU 28X2
3	EJO36B4	SLIDING GUIDE	GLEITSTÜCK22	GUIDE COULISSANT 22
4	EJO36B5	CONNECTING PART	VERBINDUNG	CONNECTEUR
5	EJO36B8	PROTECTION CAP	SCHUTZKAPPE	CAPUCHON DE PROTECTION
6	EJO36B9	POSITIONING PIPE	RASTSTÜCK	PIÈCE DE VERROUILLAGE
7	EJO36N0	HAND GRIP	HANDGRIFF	POIGNÉE
8	EJO36O1	TUBE	ROHR 22X445	TUYAU 22X445
9	KDN0524	WASHER	SCHIBE 5.3	RONDELLE 5.3
10	KDN0707	SCREW	SCHRAUBE	VIS
11	KDN0921	SCREW	LINSENSCHRAUBE	VIS À TÊTE DE REMPLISSAGE
12	MDM0248	ADJUSTMENT HANDLE	KLEMMHEBEL	LEVIER DE SERRAGE
13	NCM0146	CABLE CONNECTION	KABELVERSCHRAUBUNG	PASSE-CÂBLE À VIS
14	NCM0181	CABLE	SPIRALKABEL	CÂBLE EN SPIRALE

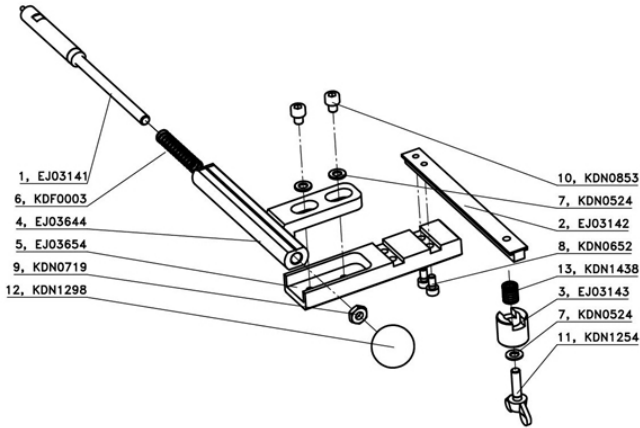
Smart BoardMaster Stop- EJ03650



REPLACEMENT PARTS LIST · LISTA DE PARTES DE REPUESTO · ERSATSTEILE-LISTE · LISTE DE PIÈCES DE RECHANGE

PART NO.	DESCRIPTION	BEZEICHNUNG	DESCRIPTION	
1	EJ03651	ROD	STANGE	POTEAU
2	EJ03652	AXLE	ACHSE	AXE
3	KB5040	SPRING	FEDER	RESSORT
4	KDN1521	SCREW	SCHRAUBE	VIS
5	KDN1298	BALLHEAD	KUGELKNOPF	TÊTE DE BALLE
6	KDN1479	BALL	KUGEL 4MM KL 3	BALLE 4MM KL 3
7	KDN1535	SCREW	SENKSCHNEIBE	RONDELLE PLATE
8	MDM0019	BALL BEARING	KUGELLAGER	ROULEMENT À BILLES

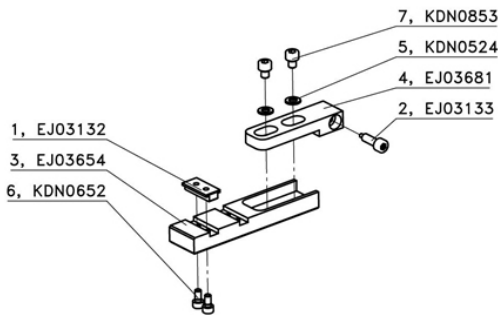
Optional: Smart BoardMaster CLAMPING ARM - EJO3640



REPLACEMENT PARTS LIST · LISTA DE PARTES DE REPUESTO · ERSATSTEILE-LISTE · LISTE DE PIÈCES DE RECHANGE

PART NO.	DESCRIPTION	BEZEICHNUNG	DESCRIPTION	
1	EJO3141	MARKER PIN	ZENTRIERSTIFT	GOUPILLE DE CENTRAGE
2	EJO3142	GUIDE	FÜHRUNG2	GUIDE 2
3	EJO3143	THRUST PAD	DRUCKSTÜCK	PATIN DE POUSSÉE
4	EJO3644	HOLDER	HALTER	SUPPORT
5	EJO3654	STRUT	STREBE	ENTRETOISE
6	KDF0003	COMPRESSION SPRING	DRUCKFEDER	RESSORT DE PRESSION
7	KDN0524	WASHER	SCHEIBE 5.3	RONDELLE 5.3
8	KDN0652	SCREW	SCHRAUBE	VIS
9	KDN0719	NUT	SECHSKANTMUTTER	ÉCROU HEXAGONAL
10	KDN0853	SCREW	SCHRAUBE	VIS
11	KDN1254	SCREW	FLÜGELSCHRAUBE DIN316	VIS PAPILLON DIN316
12	KDN1298	BALL BUTTON	KUGELKNOPF	BOUTON BILLE
13	KDN1438	PRESSURE SPRING	DRUCKFEDER	RESSORT PRESSION

Optional: Smart BoardMaster CANTILEVER - EJ03680



REPLACEMENT PARTS LIST · LISTA DE PARTES DE REPUESTO · ERSATZTEILE-LISTE · LISTE DE PIÈCES DE RECHANGE

PART NO.	DESCRIPTION	BEZEICHNUNG	DESCRIPTION
1	EJ03132 SAFETY GUIDE	FÜHRUNG	GUIDE DE SÉCURITÉ
2	EJ03133 SCREW	ZENTRIERSCHRAUBE	VIS DE CENTRAGE
3	EJ03654 STRUT	STREBE	ENTRETOISE
4	EJ03681 STRUT	STREBE	ENTRETOISE
5	KDN0524 WASHER	SCHEIBE 5.3	RONDELLE 5.3
6	KDN0652 SCREW	SCHRAUBE	VIS
7	KDN0853 SCREW	SCHRAUBE	VIS
8	N216203 FILLER APRT	FÜLLSTÜCK SHS51	
9	N216231 HOLDER	HALTER	
10	N216232 LEVER	HEBEL	
11	N216233 SAFETY	SPERRE	

Circuit diagram

